

INSTALLATION AND OPERATION GUIDE FOR



Featuring Aquatic Glassel® Tempered, Formulated Glass, ©2005 - 2007

NATURAL GAS INSTRUCTIONS

Adequate Fireplace Ventilation is Required

NOTE: READ INSTRUCTIONS FULLY BEFORE INSTALLING OR OPERATING.
INSTALLERS, LEAVE THESE INSTRUCTIONS WITH THE CONSUMER!

This product must be burned only in a fully vented, non-combustible fireplace with the damper completely open and the chimney free of any obstructions or restrictions. The fireplace must be designed and approved to burn wood. The minimum permanent, free opening in the fireplace chimney must be 8 inches in diameter (50 sq. inches) or greater.

**IT IS THE HOMEOWNER'S RESPONSIBILITY TO ASSURE THAT
THEIR FIREPLACE HAS ADEQUATE DRAFT.**

**WARNING: IF THE INFORMATION IN THIS MANUAL IS NOT FOLLOWED EXACTLY, A
FIRE OR EXPLOSION MAY RESULT CAUSING PROPERTY DAMAGE, PERSONAL INJURY
OR LOSS OF LIFE.**

FOR YOUR SAFETY – IF YOU SMELL GAS

- 1. OPEN WINDOWS**
- 2. DON'T TOUCH ELECTRICAL SWITCHES**
- 3. EXTINGUISH ANY OPEN FLAMES**
- 4. IMMEDIATELY CALL YOUR GAS SUPPLIER**

**FLAMMABLE VAPORS MAY BE DRAWN BY AIR CURRENTS FROM OTHER AREAS OF
YOUR HOUSE TO THIS APPLIANCE.**

GENERAL INFORMATION

DO NOT USE A NATURAL GAS BURNER FOR PROPANE OR A PROPANE BURNER FOR NATURAL GAS. WHEN USING PROPANE GAS (LPG) AN AUTOMATIC PILOT SYSTEM MUST BE INSTALLED.

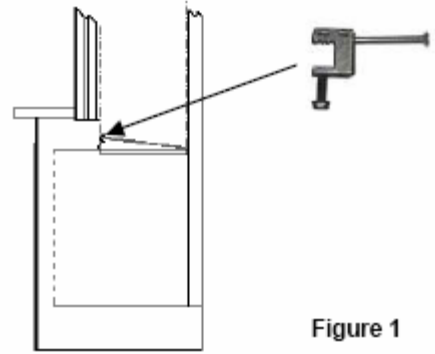
1. There are many different local codes for gas fireplaces. The installation of Aquatic Glassel glass must conform to your local codes, or in the absence of local codes, conform to the National Fuel Gas Code (ANSI Z223.1 1999).
2. When glass fireplace doors are used, always operate fireplace with the doors fully open to allow for proper combustion.
3. Periodically, the glass may be dusted with a soft feather duster. The top layer may also be scooped up and taken to a water source and washed.
4. **Do not burn wood with this product.**

NOTE: THIS PRODUCT MUST BE INSTALLED BY PERSONNEL QUALIFIED TO INSTALL GAS APPLIANCES, IF REQUIRED BY YOUR LOCAL CODES. EXOTIC FLAMES BEARS NO RESPONSIBILITY FOR YOUR ACTIONS.

DAMPER STOP **(Optional)**

Attach the damper stop clamp to the fireplace damper blade. Position the clamp to prevent full closure of the fireplace damper blade. (Figure 1)

If the damper stop does not fit, the installer shall install a permanent damper stop that will keep the damper open a minimum of 3 inches.



Step 1

Clean out your fireplace (Figure 2). Remove old burner (unless it can be re-used). If you have been burning wood or the fireplace is old, you may want to consider getting a chimney sweep. Otherwise soot may fall onto your Aquatic Glassel. Scrape the walls of the fire box, if necessary, to remove heavy build up.



Step 2

Clean your new burner (Figure 3) using a paint remover or acetone product. If this is not done, your burner could burn off oils and these could be deposited as soot on your Aquatic Glassel.



Step 3

Your gas supply may not come out low enough inside your fire box (Figure 4). You may need to extend it. Keep in mind that when the flexible gas line is attached to it, the flexible line must be completely buried under the glass. The flexible line **cannot be exposed to direct flame!**



Figure 4

Step 4

The gas supply was extended by purchasing a 90 degree elbow (1/2 inch ID) and a 2 1/2 inch nipple (1/2 inch ID). (See Figure 5) Do make sure you leave enough room to connect your flexible line to the nipple. In other words, the nipple cannot extend right to the floor of your fire box. You will need room to screw your flexible line to it.



Figure 5

Step 5

The fireplace is prepared to be painted (Figure 6). Be sure to use plenty of drop cloths and masking materials. Overspray is problematic when using a spray can to paint.



Figure 6

Step 6 – NOTE: If you are using all glass and no filler, skip the remaining steps. Adjust your burner so the flames are directed downward and slightly toward the front. Then cover the bottom of the fire box along with the burner with **3 inches of glass minimum.**

After the firebox is painted, the burner needs to be attached (Figure 7). Note that the bottom of the firebox did not need to be painted. The small holes in the burner pipe should be faced downward at this time. Don't worry about the burner pipes being not being tightened down too much. This will not cause a problem.



Figure 7

Step 7

Beginning 2 to 3 inches from the front of the fireplace, add finely crushed lava rock (pea size) keeping the burner pulled to the top (Figure 8 and 11). Begin forming a wedge shape (1/2 inch in the front to around 3 inches at the back wall). Screw the burner pipes so the holes are facing downward. At this time it wouldn't hurt to light the burner and test for a good flame pattern.



Figure 8

Step 8

2 Inches of 1/4 Inch Ford Blue was added in (Figure 9 and 11). This finishes the job!



Figure 9

Step 11

Make sure the damper is fully open. Use a long match or lighter. Turn on the gas and carefully light the product (keeping your hand outside of the firebox). The damper must be fully open whenever the product is burning. Adjust the flame to your liking (Figure 10). You will be delighted to feel the heat this product radiates. Thank you for choosing Exotic Flames!



Figure 10

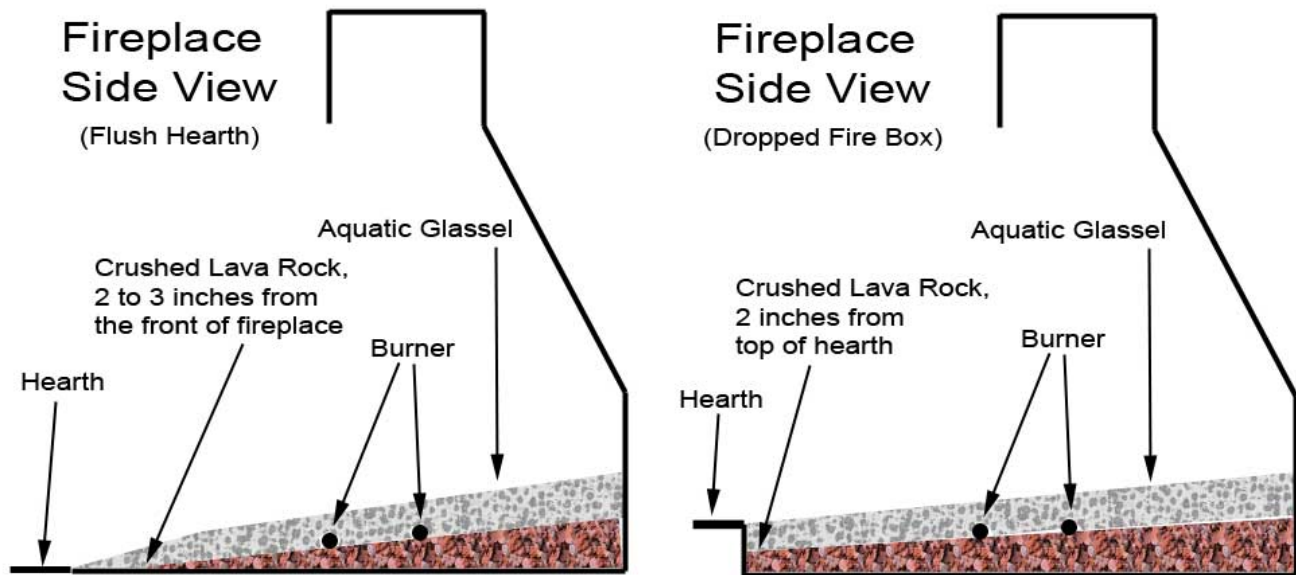


Figure 11